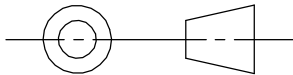
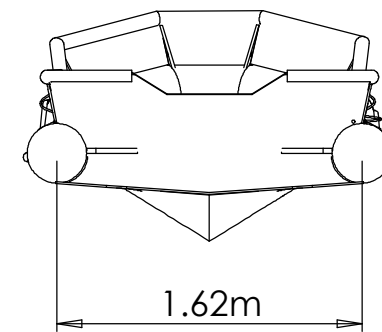
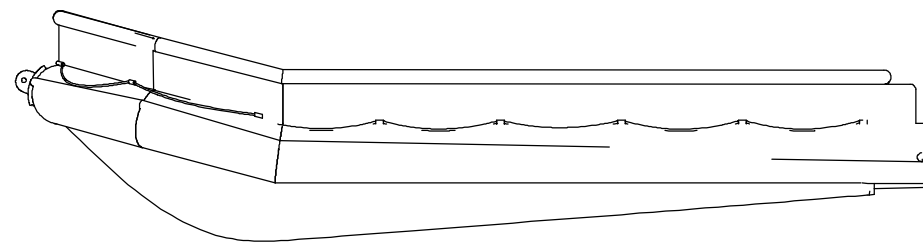
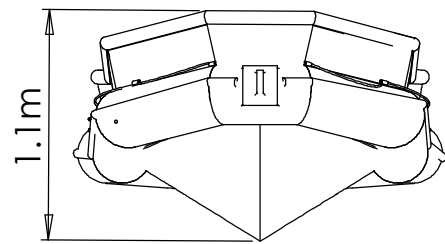
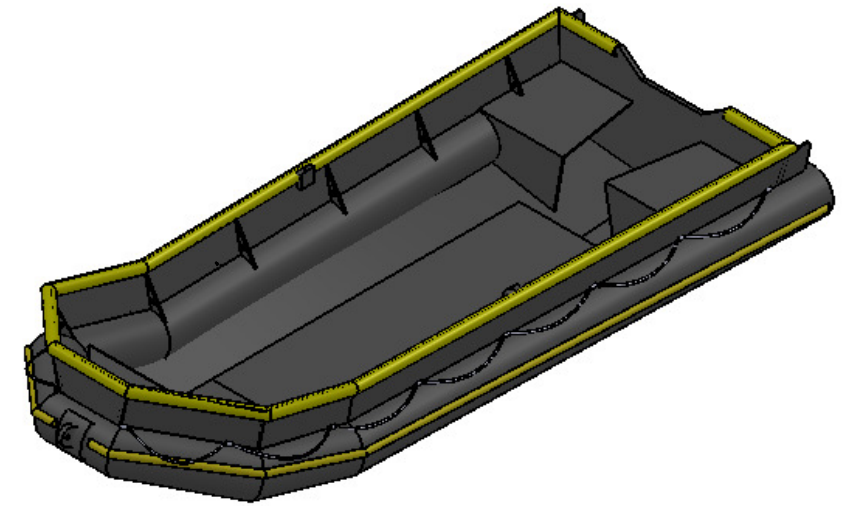
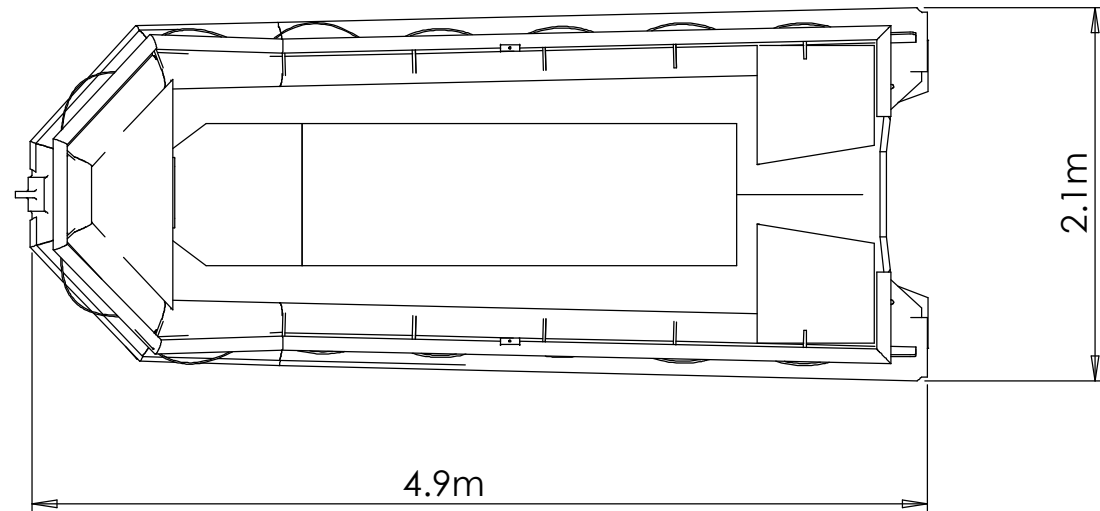
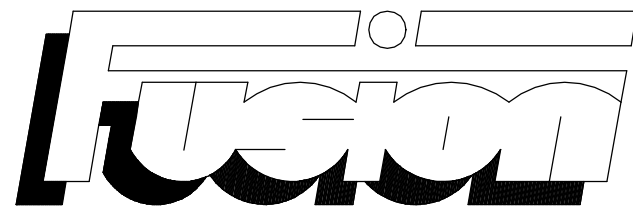


3rd Angle Projection			If In Doubt Ask ~ Do Not Scale	Dimensions are in mm	Date	Rev	Details of Revision
Job Number	Customer		Date				



OVERALL LENGTH: 4.9m
MAXIMUM BEAM: 2.1m
MAXIMUM HEIGHT: 1.1m
SPONSON : 315sdr26



Fusion Marine Limited
Marine Resource Centre
Barcaldine
By Oban
Argyll PA37 1SH
www.fusionmarine.co.uk

Tolerances

Unless otherwise specified

X = ± 0.50 X° = ± 0°30'
X.X = ± 0.20 X°X' = ± 0°10'
X.XX = ± 0.10

Title Hornet Hornet 4.9m Boat			
Material: PE 100		Finish:	
Drawn: R.Macdonald	Scale: 1:40	Drawing No.	Rev
10/09/2009	Reference Drgs	HOR 4.9	
Checked			
Verified			